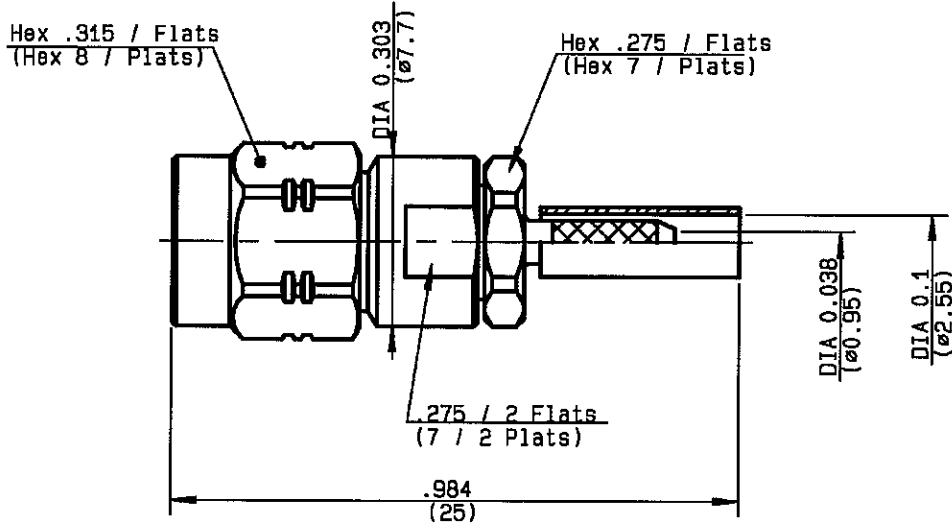


**STRAIGHT PLUG CRIMP TYPE
CABLE 2/50 S**

R124.069.120
SERIES SMA-COM



NOMINAL IMPEDANCE	50 Ω
FREQUENCY RANGE	0-12.4 GHz
TEMPERATURE RATING	-65/+165 °C
V.S.W.R	*1.15 + .02 x F(GHz)Maxi
RF INSERTION LOSS	0.05 √F(GHz) dB Maxi
VOLTAGE RATING	170 Veff Maxi
DIELECTRIC WITHSTANDING VOLTAGE	500 Veff Mini
INSULATION RESISTANCE	5000 MΩMini
HERMETIC SEAL	NA Atm.cm ³ /s
LEAKAGE (pressurized only)	NA
MECHANICAL DURABILITY	100 Cycles
WEIGHT	4.64 gr
SPECIFICATION	

CABLES : **KX 21**
RB 178
RB 178 LC
RB 196

OTHERS CHARACTERISTICS

	* VSWR max: up to 3 GHz
CABLE RETENTION	45 N Mini
CENTER CONTACT RETENTION	
Axial force - mating end	27 N Mini
Axial force - opposite end	27 N Mini
Torque	NA cm.N Mini
RECOMMENDED TORQUES	
Mating	60 cm.N
Panel nut	NA cm.N
Clamp nut	90 cm.N

CONNECTOR PARTS	MATERIALS	FINISH	(all values are given) in micrometers
BODY	BRASS	BBR 2	
OUTER CONTACT			
CENTER CONTACT	BRASS	GOLD 1.3 OVER COPPER 2.5	
INSULATOR	PTFE	-	
GASKET		-	
OTHERS PIECES	BRASS	BBR 2	

TRIGUES

ISSUE
0708C

CREATION DATE
17/02/0098

FILE PART-NUMBER
EPC 97-03



RADIALL®

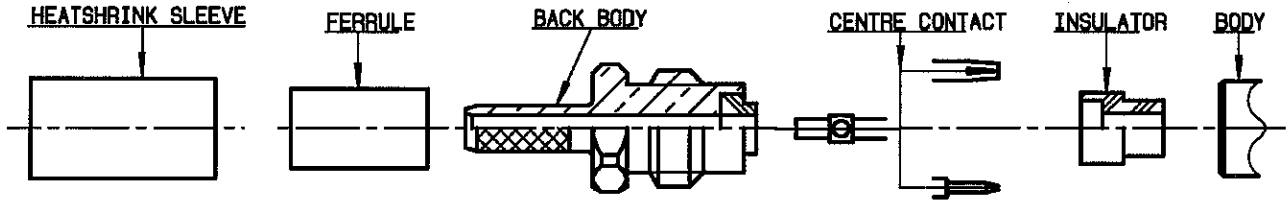
The information given here is subject to change without notice.
Design changes may be in order to improve the product .

Connect to the future



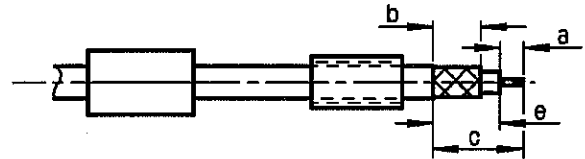
R124.069.120

ISSUE 0708 C SERIES SMA-COM



①

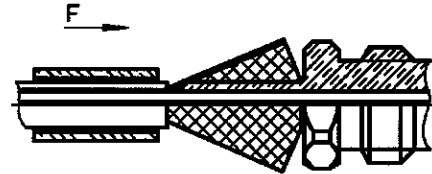
Slide heatshrink sleeve (R280.637.010-Option) and ferrule onto cable.
Strip the cable .
-



Stripping	a	b	c	d	e
inch	0.138	0.276	0.531	0	0.394
mm	3.5	7	13.5		10

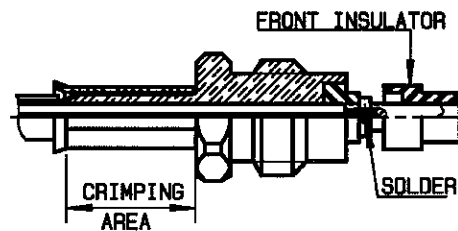
②

Fan the braid.
Slide the back body between dielectric and braid.
Slide ferrule over the braid (In direction F).
-
-



③

Crimp the ferrule with crimping tool R282.211.000 (Hex. : .105)(2.67) or crimping tool R282.293.000 (M22520/5-01) + dies R282.235.003 (M22520/5-03)
Cut excess of braid if necessary .
Mount and solder the centre contact.
Mount the front insulator.
-



④

Screw sub-assembly into the connector body.
Recommended coupling torque: 90Ncm.
Slide sleeve over ferrule and heatshrink in place (Option).
-
-

Shrink the heatshrink sleeve

